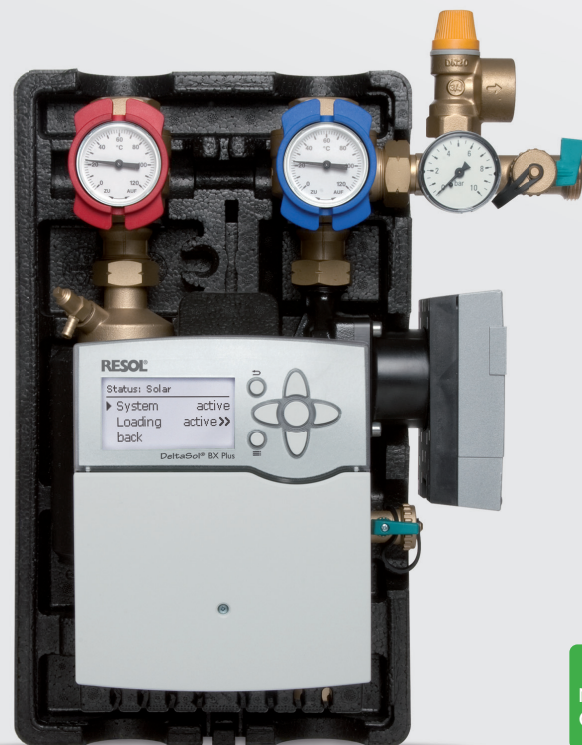


FlowSol® XL

Twin-line pump station for large-scale solar thermal systems



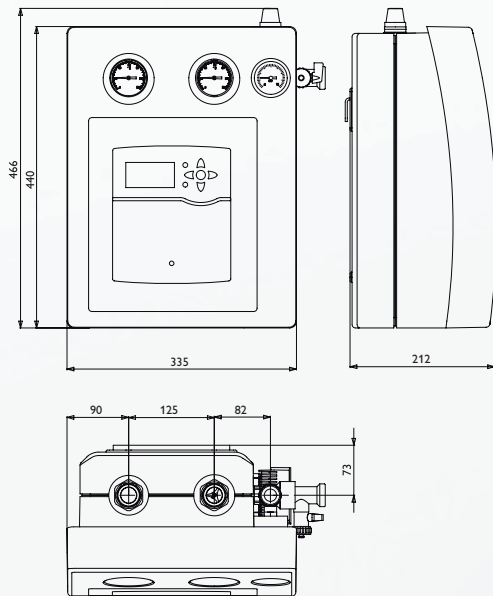
For collector fields of
up to 100 m²

Made in 
Germany

- ✓ Pre-assembled twin-line pump station
- ✓ Integrated *DeltaSol®* BX Plus controller
- ✓ Energy-saving high-efficiency pump
- ✓ Safety assembly with connection for the diaphragm-type expansion vessel, safety valve and pressure gauge

- ✓ Ball valves with non-return valves in flow and return
- ✓ Flowmeter
- ✓ Air separator with manual air vent for the solar thermal system
- ✓ Fill and drain valves

Technical data



Circulating pump: Wilo Stratos PARA 15/1-9
(Maximum power consumption: 88 W)

Safety valve: 6 bar

Pressure gauge: 0 ... 10 bar

Flowmeter: 5 ... 35 l/min

For low-flow systems (0.2 l/min/m²) with collector fields of up to 100 m²

For high-flow systems (0.5 l/min/m²) with collector fields of up to 50 m²

Take the pressure loss of the system into account! (see manual)

Ball valves in flow and return with nonreturn valves and thermometer handles:

Non-return valves: opening pressure 20 mbar, openable
Thermometer: 0 ... 160 °C

Connection to diaphragm-type expansion vessel:
1" ET, flat sealing

Outlet safety valve: 1" IT

Connections to the solar pipes: 1" IT

Maximum temperature flow/return: 120 °C/95 °C

Maximum pressure: 6 bar

Medium: Water with max. 50% glycol

Dimensions: approx. 470 x 380 x 220 mm (with insulation)

Distance centres: 125 mm

Distance centre/wall: 73 mm

Material: Fittings: brass

Seals: AFM 34

O-ring: FKM

Insulation: EPP foam

Controller ErP data (standby):

DeltaSol® BX Plus: 0.76 W; temperature controls class: I;
energy efficiency contribution: 1 %

ErP data overview

Solar controller:	BX Plus
Standby [W]	0,73
Auxiliary electricity consumption [kWh/a]	
Wilo Yonos PARA ST 15/1-p-RKA-130-6H	94,4

Accessories



SBS 2000 filling and flushing station

The SBS 2000 has been especially designed for professionally filling and flushing solar thermal and heating systems. Its many thought-out details facilitate transport, operation and cleaning, the attractive design makes it the ideal companion for a professional performance.

Article no.: **280 010 90**

Heat transfer and cleaning fluids

In our product portfolio, you will find a range of heat transfer fluids for different applications, available as readymix or concentrate, as well as cleaning fluids.



Filling and injection pump

Filling and injection pump with non-return valve for pressure increase and refilling of heat transfer fluids. ½" ET self-sealing with O-ring, 15 mm tube connection. Pump output 2 l/min, 4.5 bar max.

Article no.: **280 005 40**

RESOL FlowSol® XL – DeltaSol® BX Plus

Twin-line pump station, incl. DeltaSol® BX Plus controller and 5 Pt1000 sensors (2 x FKP6, 3 x FRP6)

Price bracket A | Article no.: **290 023 93**

RESOL FlowSol® XL – without controller

Twin-line pump station

Price bracket A | Article no.: **290 026 83**

Do you have any further questions? We have the answers:

© RESOL – Elektronische Regelungen GmbH ■ info@resol.com ■ www.resol.com